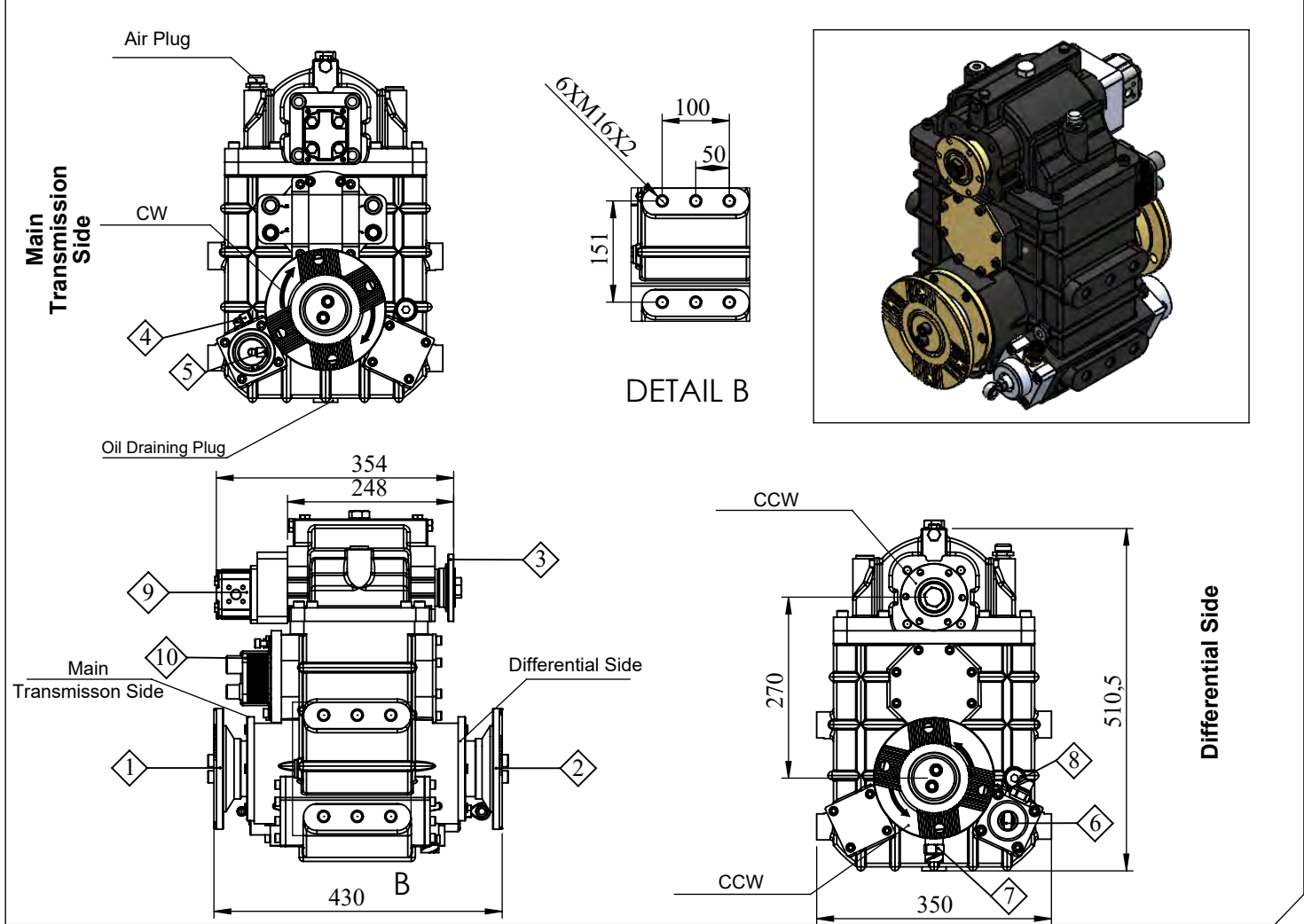


Vehicle Type	For Fire Fighting, Road Service Vehicles, Concrete Pumps
Gearbox Type	3 Stage Vertical Heavy Duty Split Shaft PTO

Product Code	UARA.2002.H-M
Revision No-Date	01/19.09.2018

Product Views



Component Details

1: ISO 7647 - ISO 7646 - ISO 8667 Standard Flange
2: ISO 7647 - ISO 7646 - ISO 8667 Standart Flange
3: ISO 7647 - ISO 7646 - Standard Flange
4: Air Inlet: Engage PTO Output, Disengage Main Drive
5: Air Inlet: Disengage PTO Output, Engage Main Drive
6: When Pull Lever; Engage Main Drive, Disengage PTO Output
When Push Lever: Disengage Main Drive, Engage PTO Output

7: RPM Counter (Optional)
8: Engage/Disengage Sensor (Optional)
9: Lubrication Pump (Optional)
10: Heat Exchanger (Optional)

Teknik Bilgi

Outputs	Max. Values	Max. rpm	Internal Ratio	Mounting Type	Control Type
1 & 2	2100 kgm		1/1	Split Shaft	Pneumatic
3	185 kW	2800-3600 rpm	1/1.6 1/1.84 1/1.4 1/2.25	Weight	Sense of Rotation
4				128 kg	Same as Input